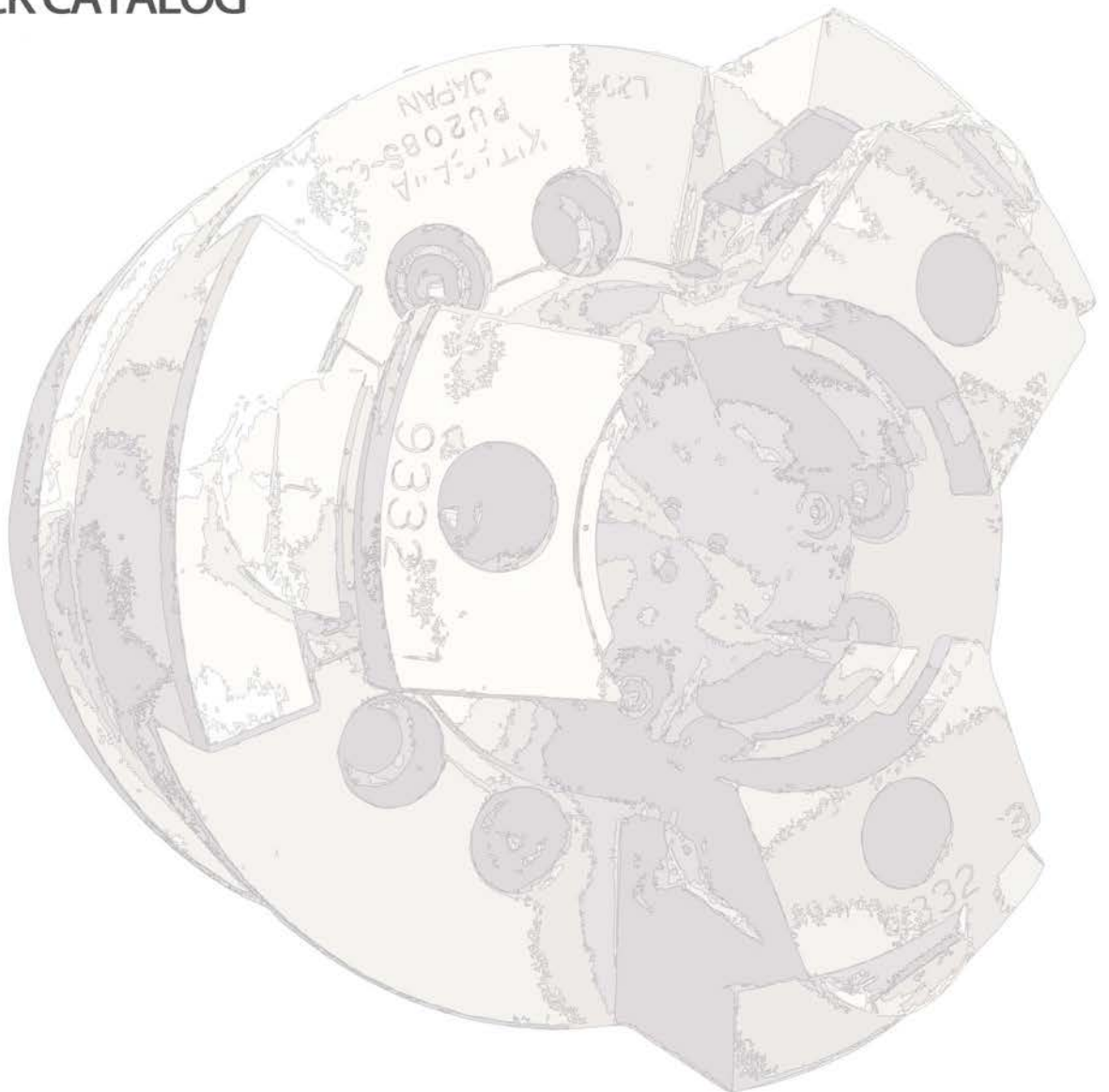


Chuck

DG CHUCK CATALOG



DL200 Series

Dual Lock Chuck

A revolutionary chuck with the worlds first 2-way gripping system
 Unbelievable versatility with the ability to grip anything you want

DL200 SPECIAL FEATURES

- Increased gripping options

KITAGAWA introduces the worlds first chuck with two stage gripping action.

Parallel jaw clamping with secondary pull back action for work seating.

Jaws do not protrude in the Z axis unlike conventional pull back chucks. This allows for improved gripping on difficult areas.

The gripping range is extended up to the chuck OD allowing a wider range of workpieces to be machined.

- Ideal for volume production machining

Dust proof sealed body design for long life. Suitable for automation and volume production.

- Easy jaw forming

Standard serrated jaws are used for easy jaw forming by customer.

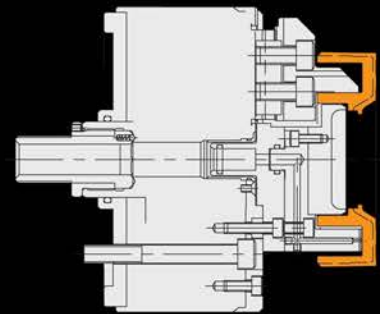
* CE Correspondance



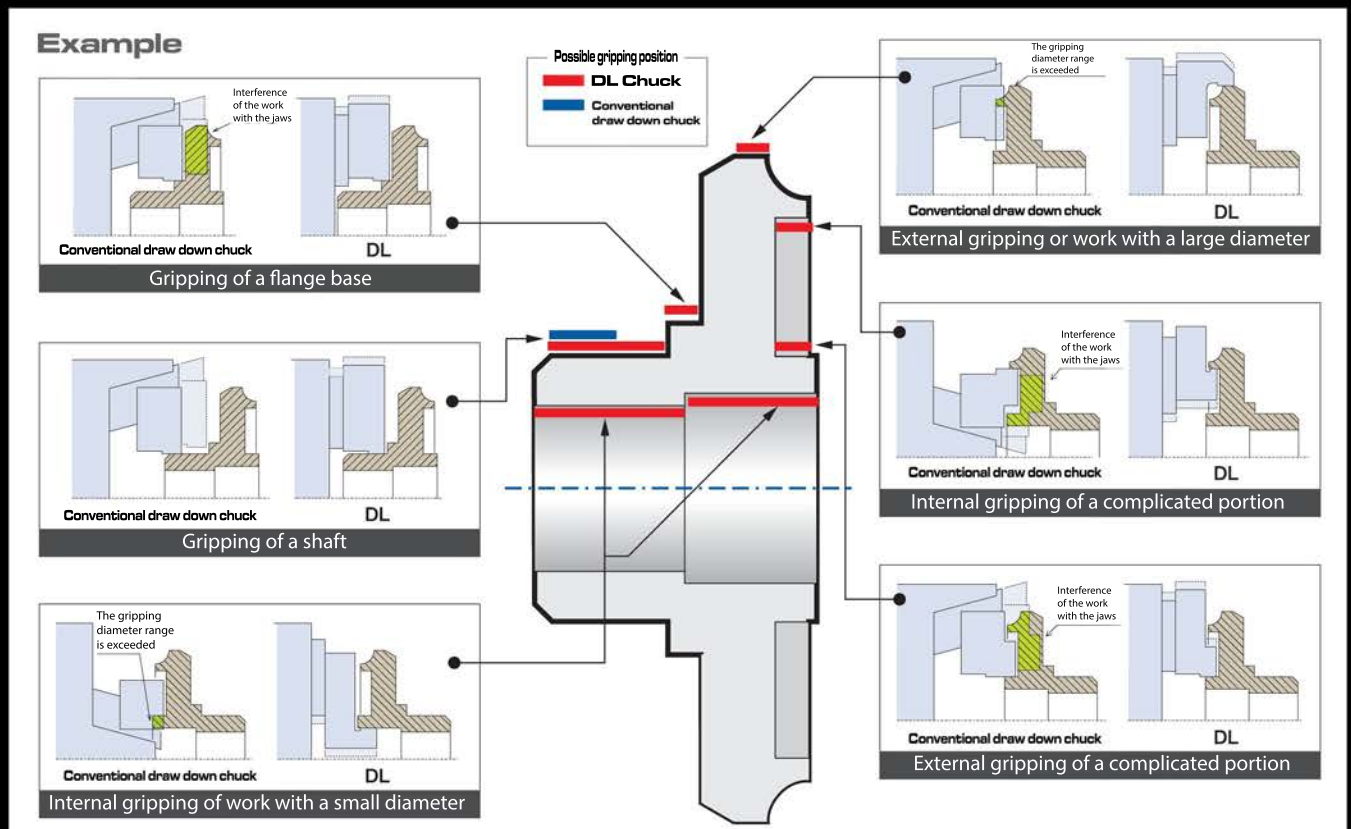
DL208

Dual Lock

GRIPPING EXAMPLE

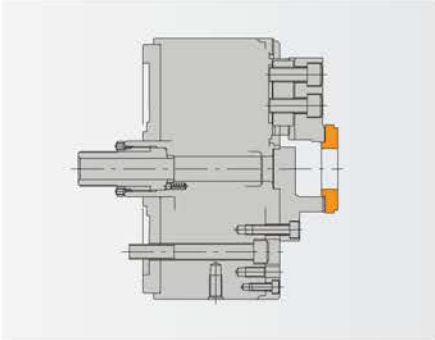


RING

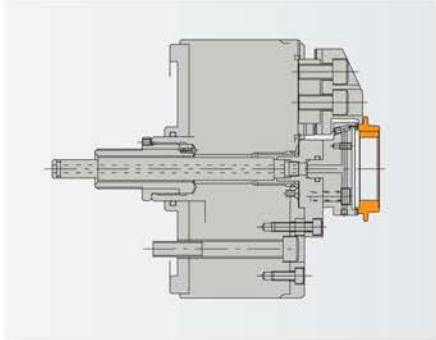


DL200 Series - Gripping Examples

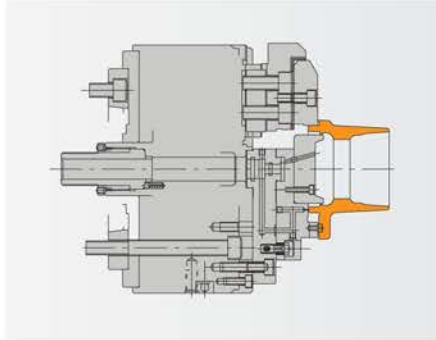
● SUB GEAR



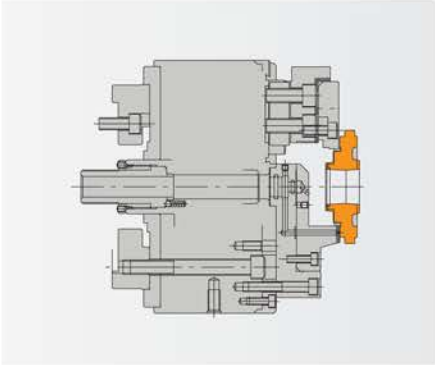
● SPROCKET



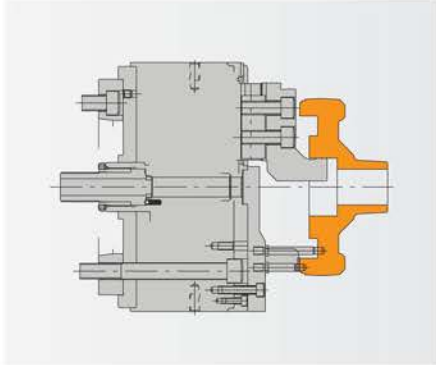
● HUB



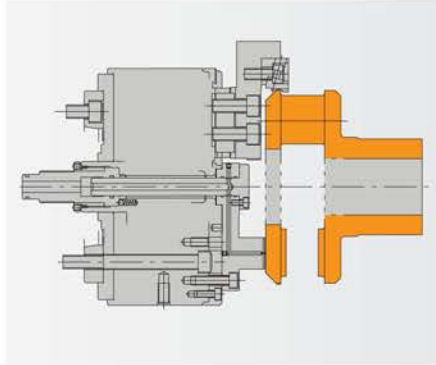
● GEAR



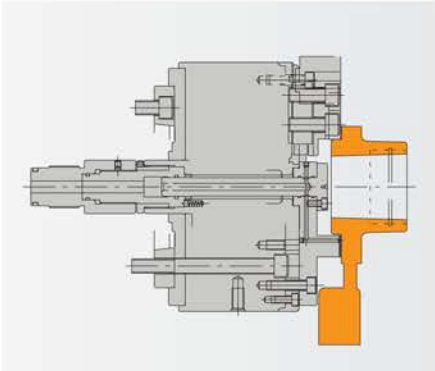
● BEARING



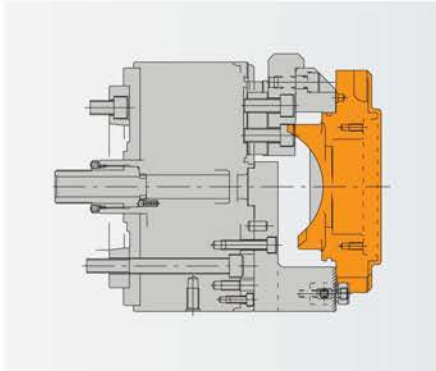
● CARRIER



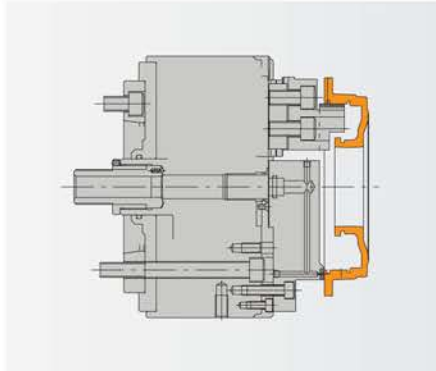
● RETAINER



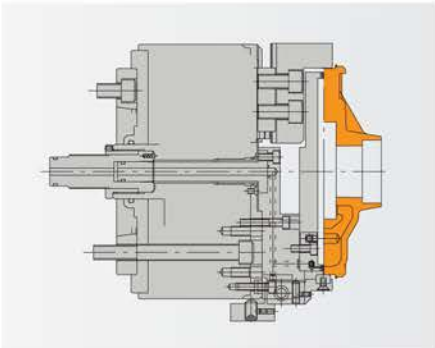
● BODY



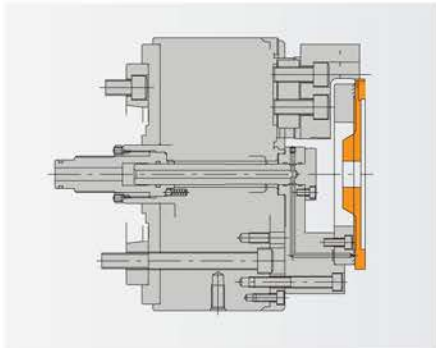
● CLUTCH



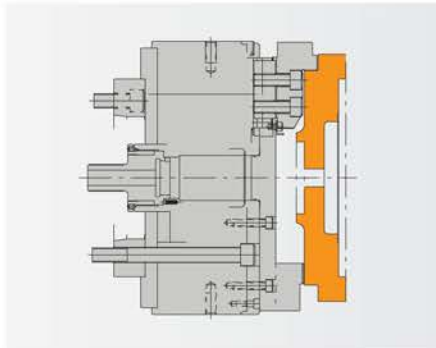
● BODY



● DISK



● FLYWHEEL



DUAL LOCK CHUCK

PW(C) Series

Power Wing Chuck

※ PWC has the same specification as PW with the exception of the fact that PWC is a compensation type

Pull back workpiece for secure gripping casting or forging

PWT(C) Series

2-Jaw Power Wing Chuck

※ PWC has the same specification as PW with the exception of the fact that pwc is a compensation type

Draw down irregular shaped material for steady gripping

Power Wing Chuck



PW(C)



PWT06

PW(C) Characteristics

● Powerful Gripping

After gripping the component in radial direction, a power PULL-BACK action is applied which significantly increases the Gripping Force, allowing a heavier machine cut to be taken.

● High Durability

Master jaws are of spherical design and sealed against swarf and coolant. This permits High Gripping Forces to be retained between lubrication periods.

● JAW Equalising 5°max equalising angle

Various workpieces can be firmly gripped by the self-equalising jaws to max 5°.

PWT(C) Characteristics

● Two jaw type for gripping irregular workpieces

Draw down action ensures secure gripping of workpiece onto reference surface

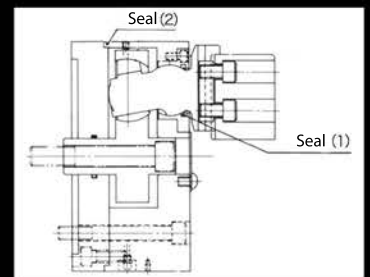
● Compatible with PW series & soft jaws * CE Correspondance

● Gripping on Tapered Parts

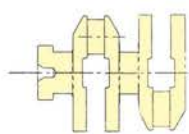
The radial and PULL-BACK jaw action allows rough tapered castings and forging to be securely gripped to maximum 20°.

● Complete Sealing

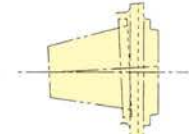
Additional sealing at (1) and (2) reduces grease contamination and increases maintenance period.



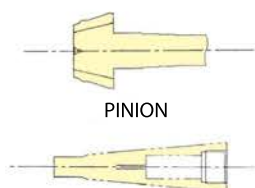
PW(C) Work Examples



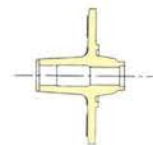
CRANK SHAFT



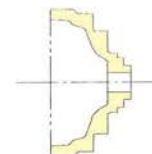
TRANSMISSION JOINT



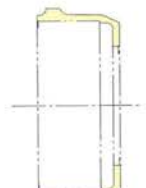
HOUSING CARTRIDGE



REAR HUB



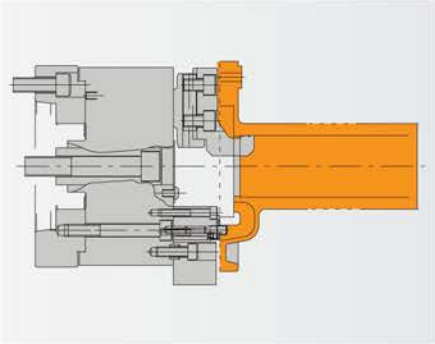
PULLEY



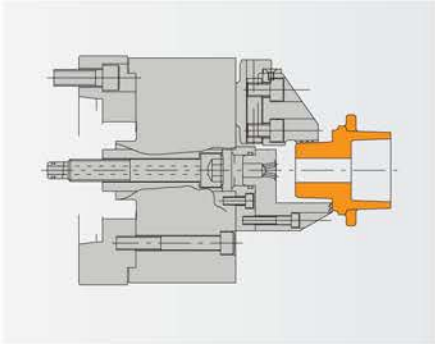
BRAKE DRUM

PW(C) Series - Gripping Examples

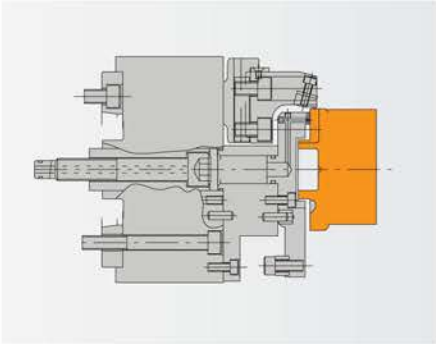
● HOUSING PUMP



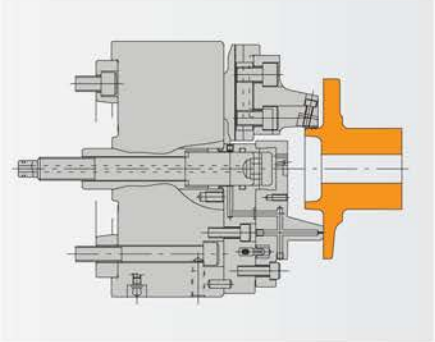
● CLUTCH



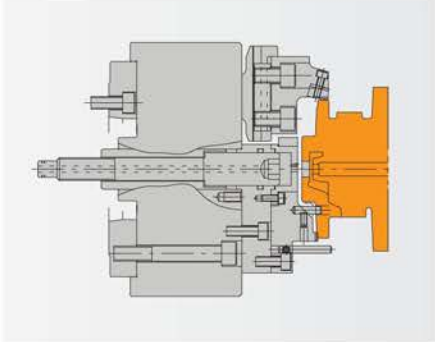
● SCROLL



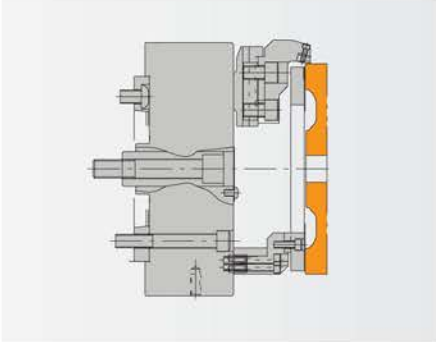
● HUB



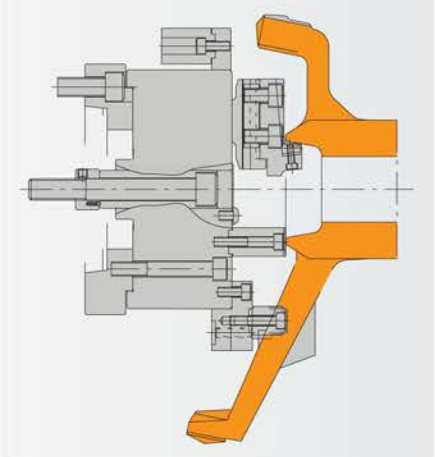
● HOUSING



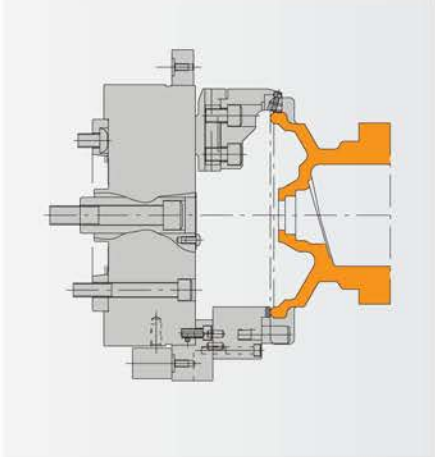
● FLYWHEEL



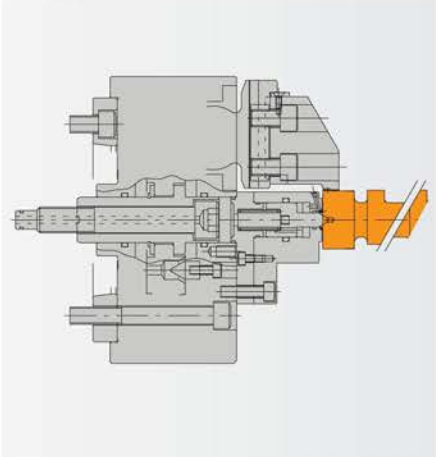
● KNUCKLE



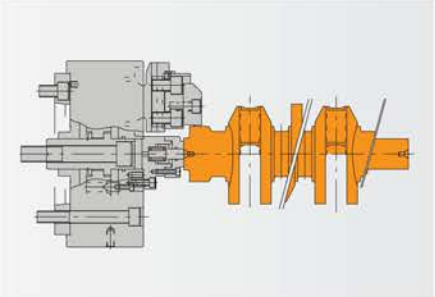
● PISTON MOTOR



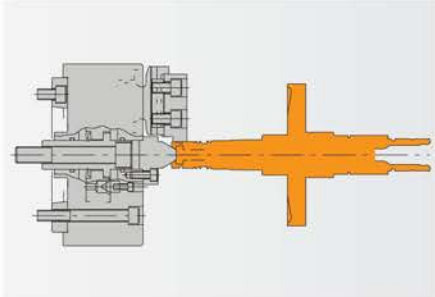
● CAM SHAFT



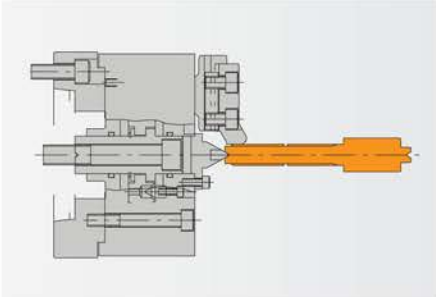
● CRANK SHAFT



● SHAFT



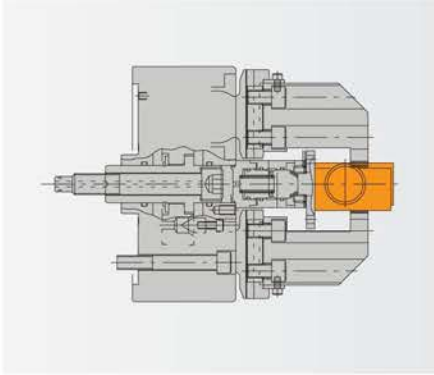
● MAIN SHAFT



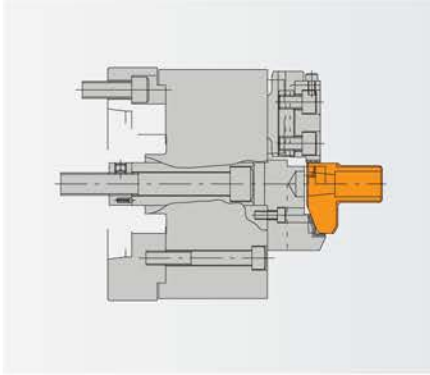
Power Wing Chuck

PWT (C) Series - Gripping Examples

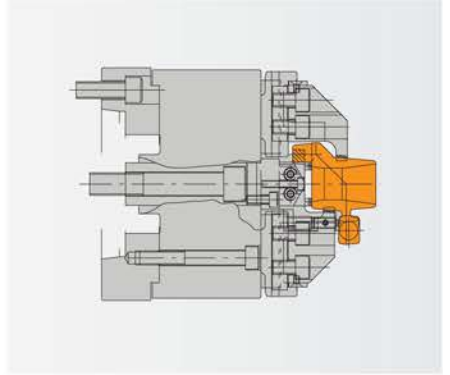
● VALVE



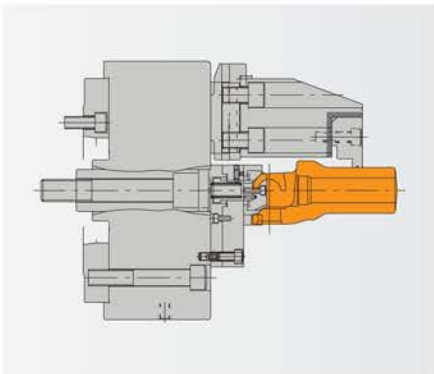
● HOLDER



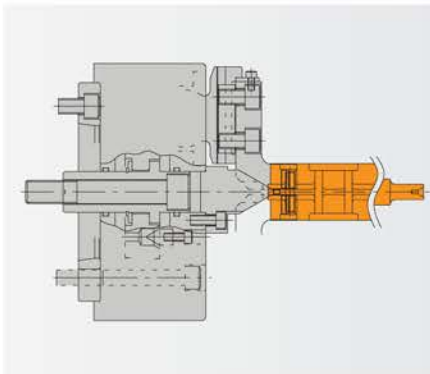
● ARM



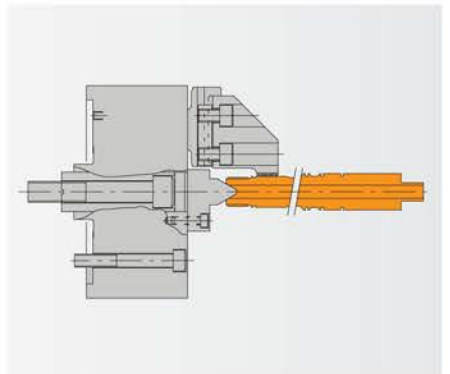
● SLEEVE



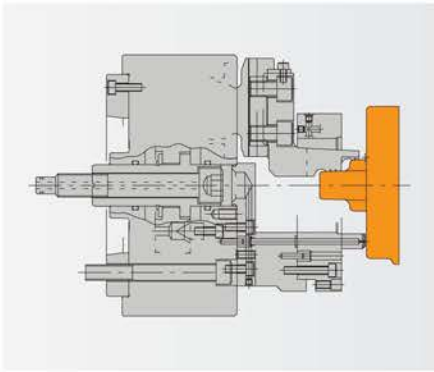
● BALANCE SHAFT



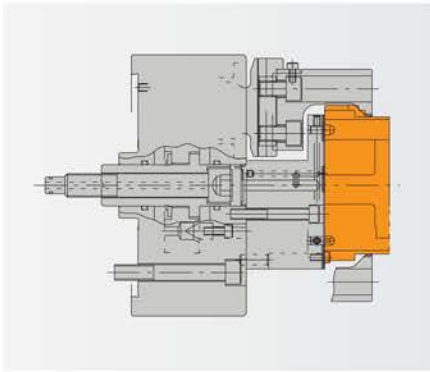
● SHAFT



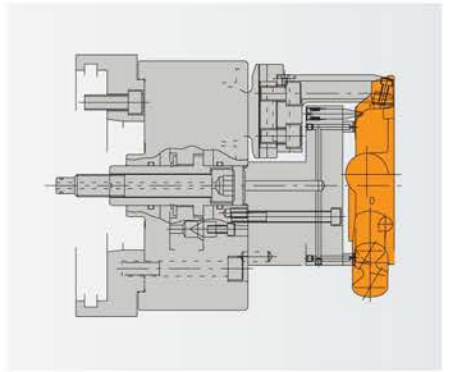
● HEAD



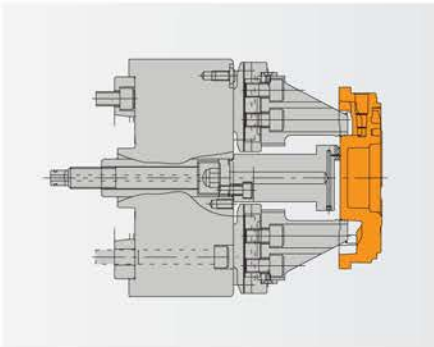
● BLOCK



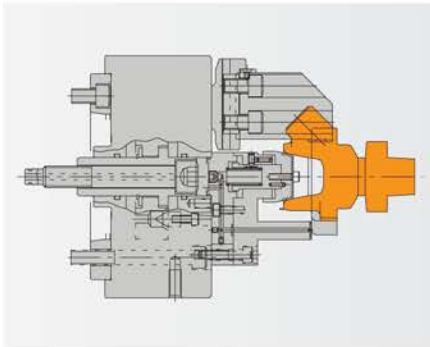
● CYLINDER HEAD



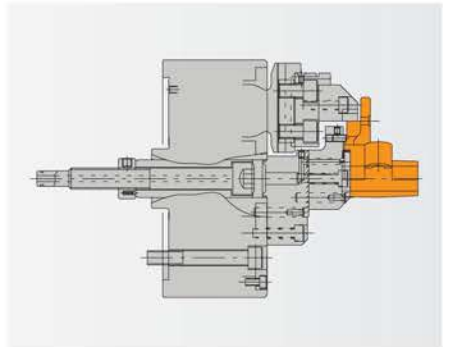
● COVER



● CYLINDER PUMP



● BRACKET



PULL LOCK CHUCK OPEN CENTRE PULL LOCK CHUCK

PU • PUB

Draw down for high-precision processing
Open Centre type accomodates shaft processing

INTERNAL GRIPPING PULL LOCK CHUCK

PUE Series



PUB208



PUE06



PU208

Pull Lock Chuck

PU Type Characteristics

- High Gripping stability means heavy cutting is possible

Radial gripping forces and strong pull back action allow stable heavy cutting.

- Excellent repeatability!

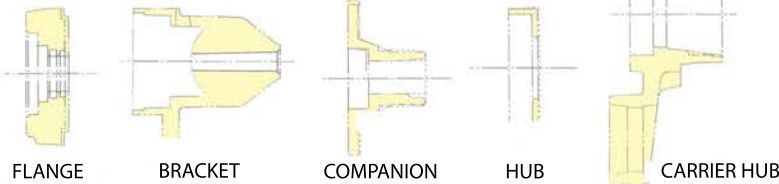
Side and rear support provided by the base jaws reduces the centrifugal gripping force loss thus resulting in high repeatability.

- Long-term stable accuracy!

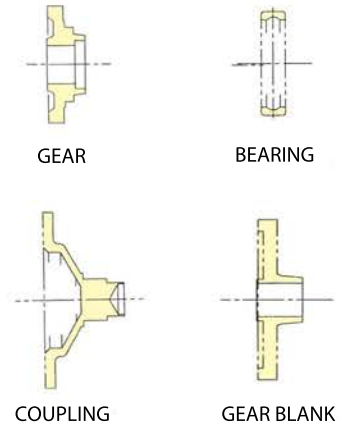
The sophisticated mechanism and special steel design ensure longevity and gripping accuracy.

- Compatible with automation by use of seating confirmation *CE correspondence

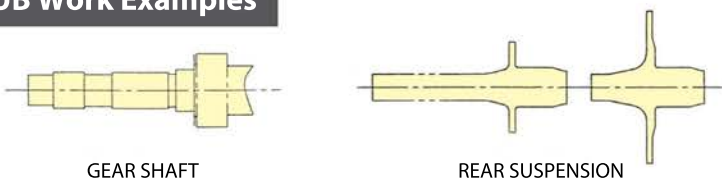
PUE Work Examples



PU Work Examples

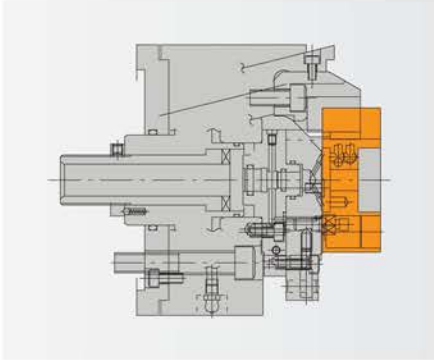


PUB Work Examples

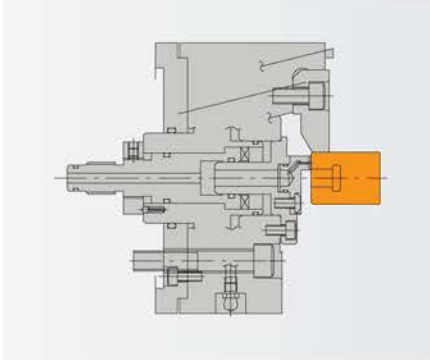


PU Series - Gripping Examples

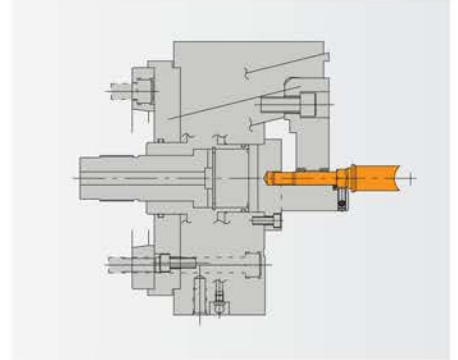
● ROTOR VANE



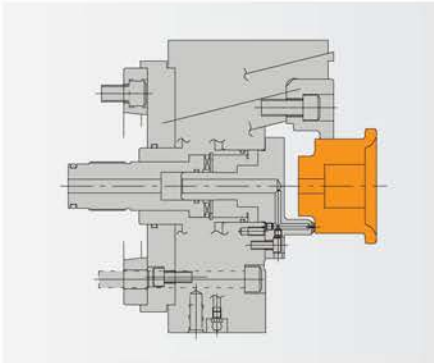
● VALVE



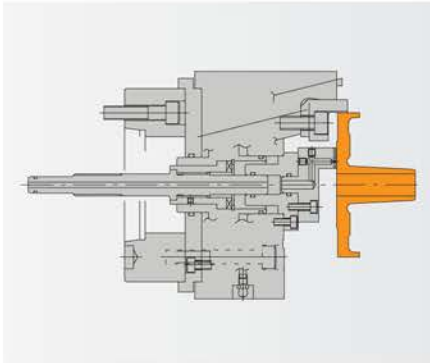
● CONNECTING ROD



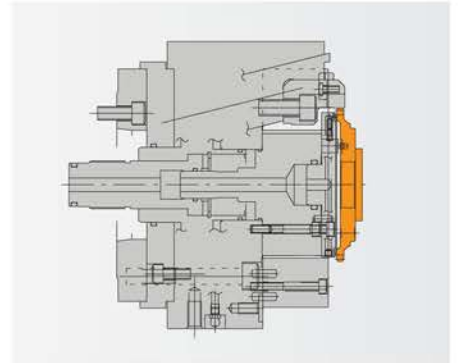
● SPROCKET



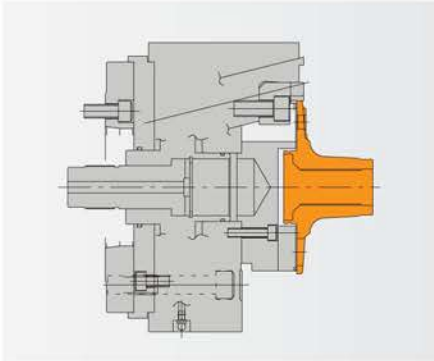
● COVER



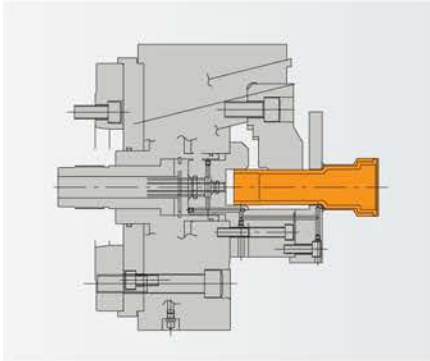
● GEAR



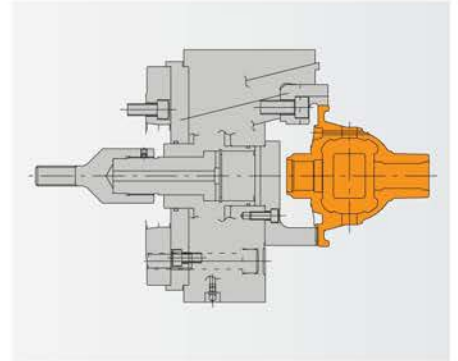
● HUB



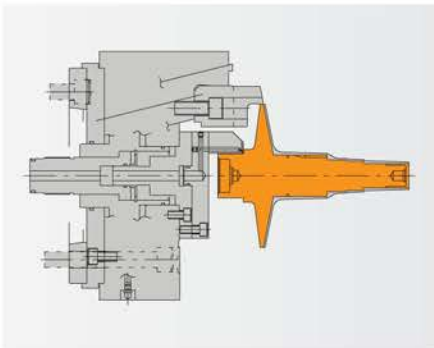
● SHAFT



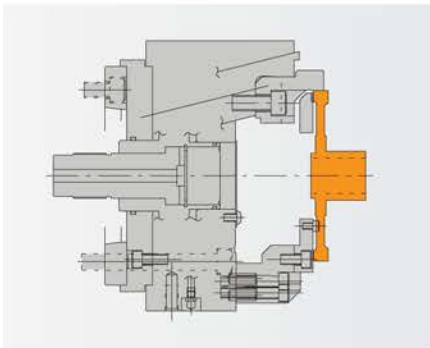
● CASE



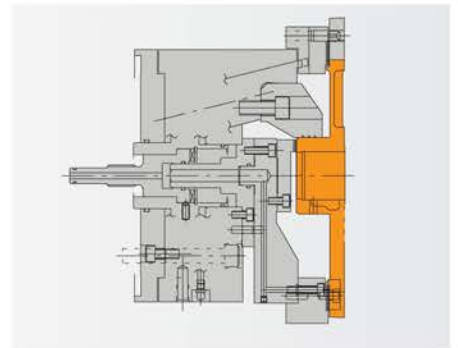
● SHAFT



● SHAFT

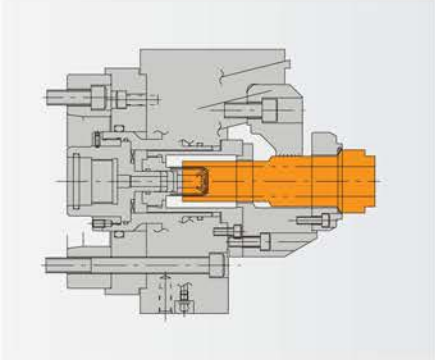


● PUMP COVER

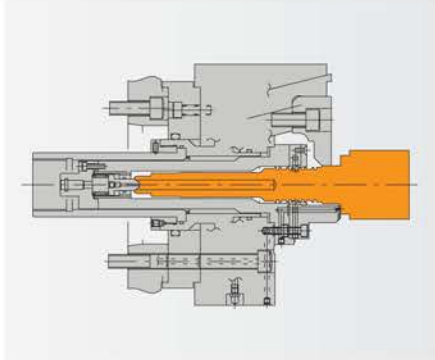


PUB Series - Gripping Examples

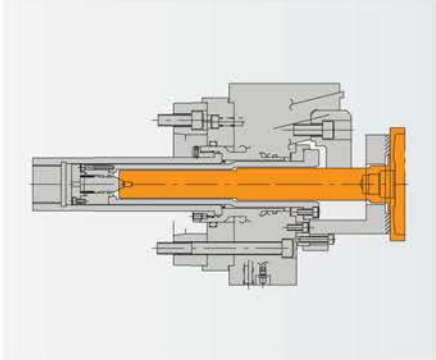
● STATOR



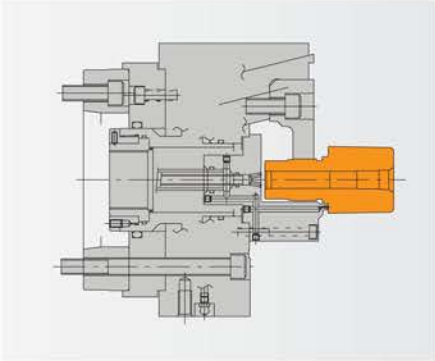
● SHAFT



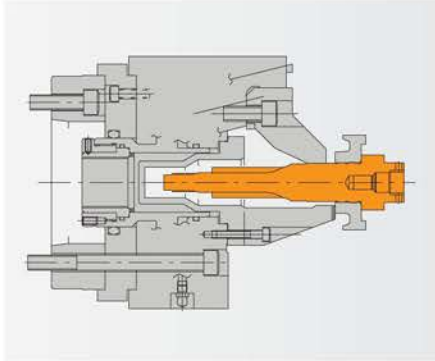
● SHAFT



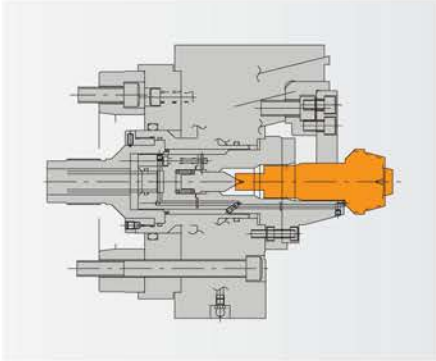
● PINION



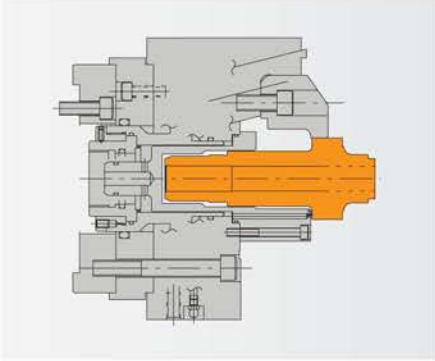
● PINION GEAR



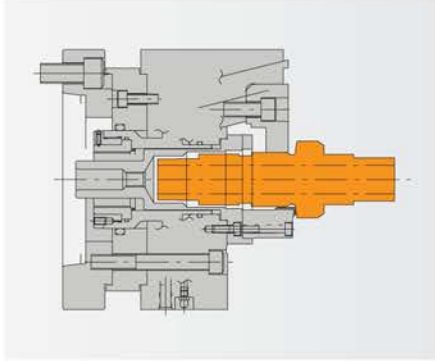
● PINION



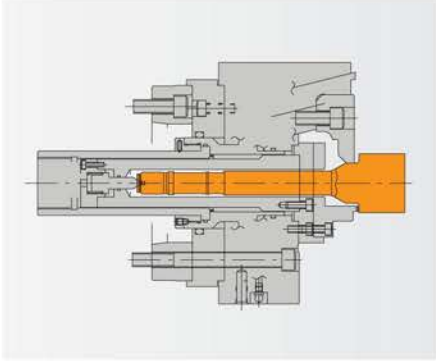
● GEAR



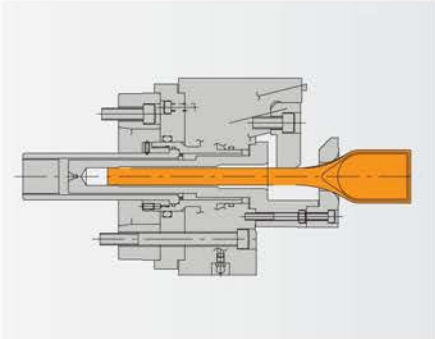
● PULLEY



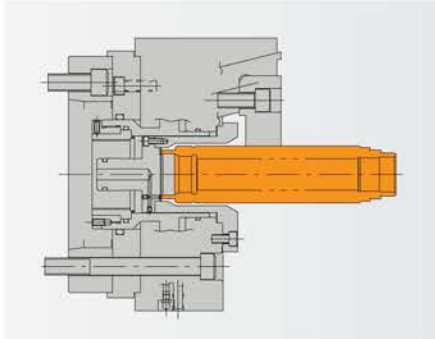
● SHAFT



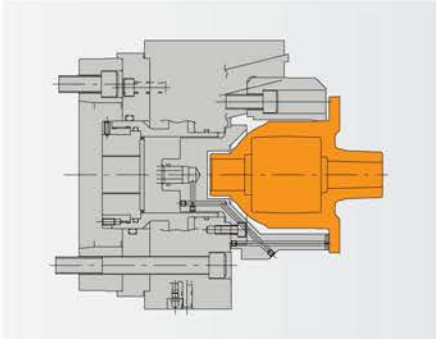
● HEAD



● ROTOR



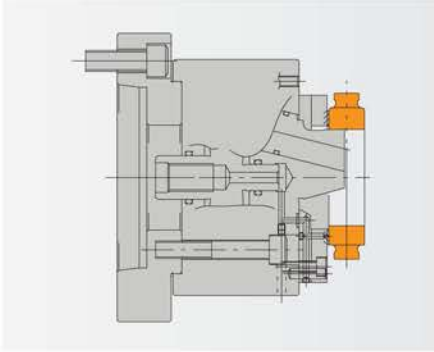
● CASE



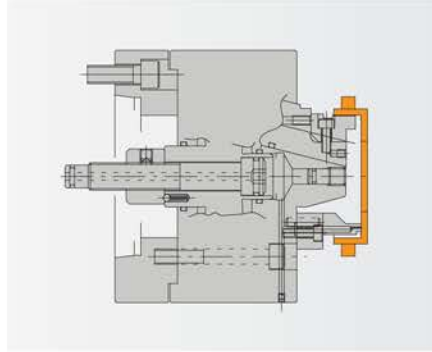
Pull Lock Chuck

PUE Series - Gripping Examples

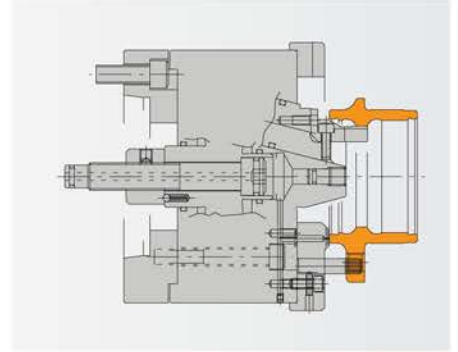
● CAM RING



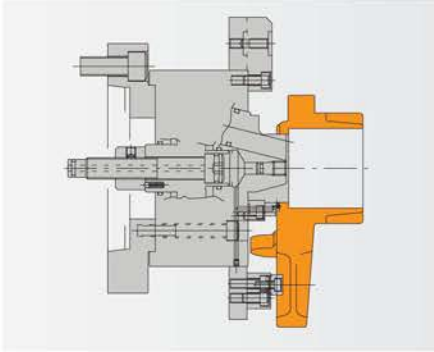
● HUB



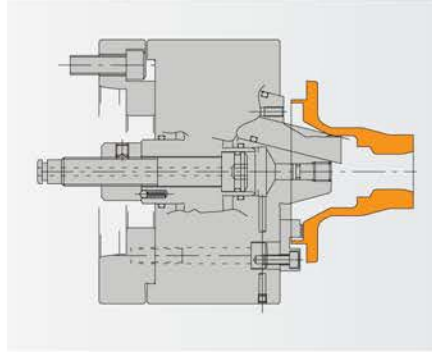
● HUB



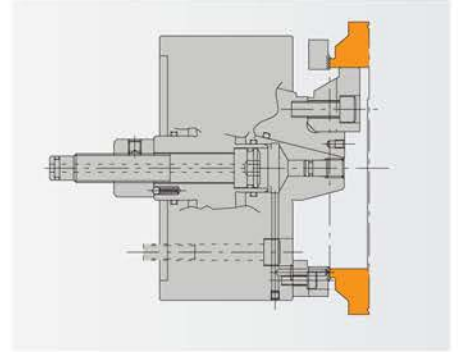
● CARRIER HUB



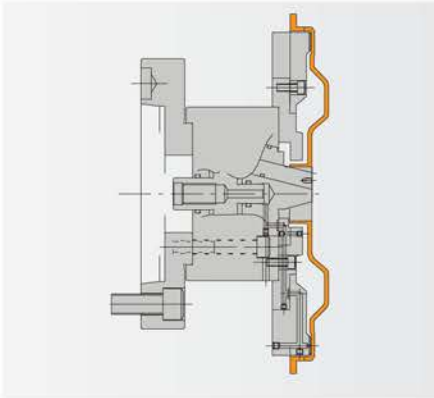
● YOKE FLANGE



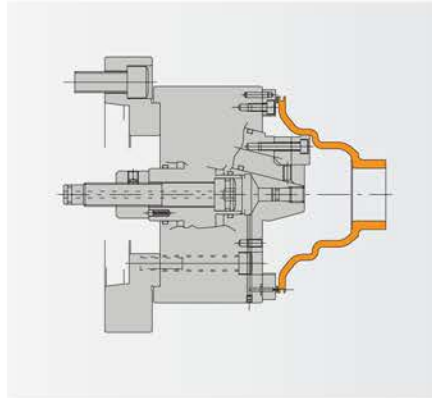
● OUTER



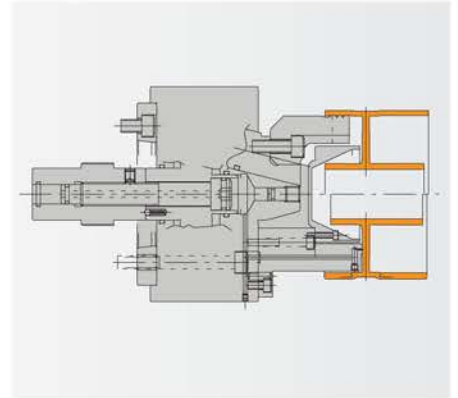
● CORE PLATE



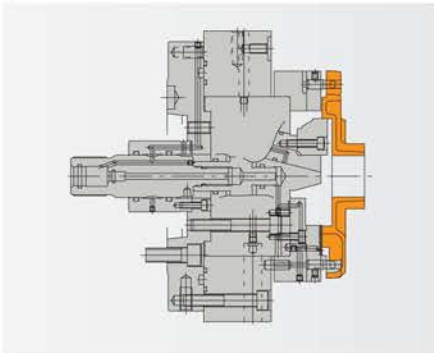
● GEAR



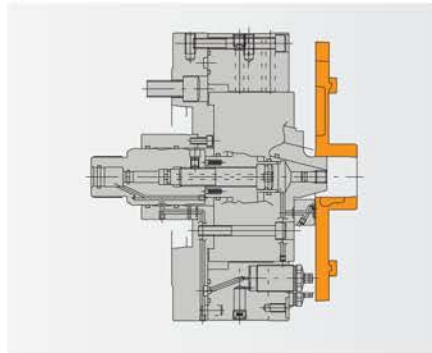
● CLUTCH



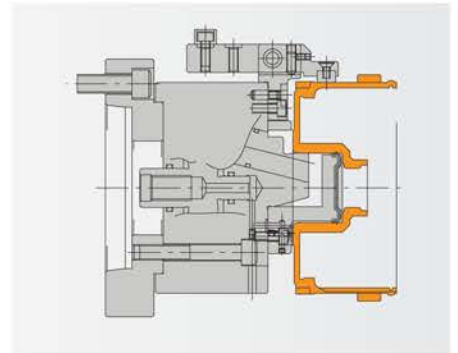
● PUMP



● PUMP COVER

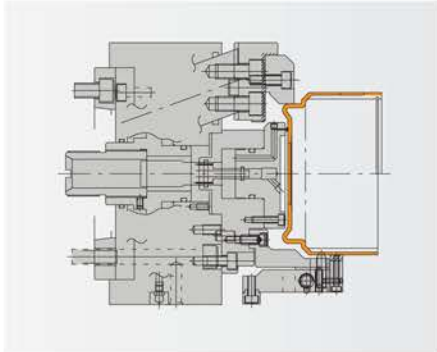


● CLUTCH

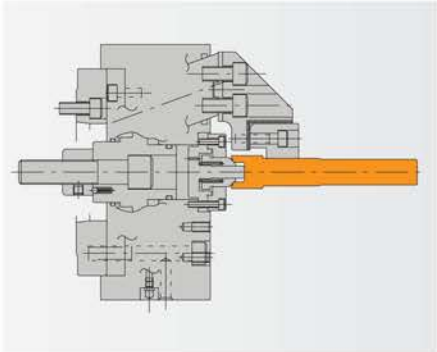


LU Series - Gripping Examples

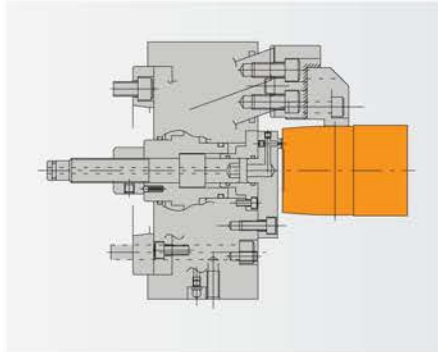
● DRUM



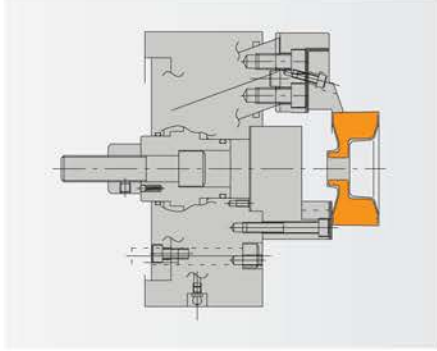
● PINION GEAR



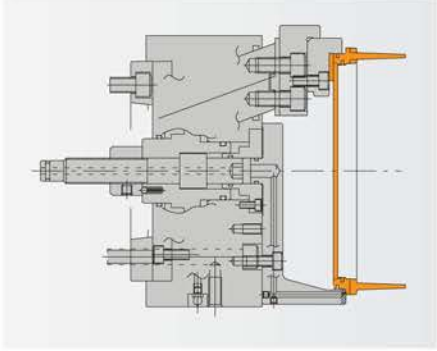
● ROLLER



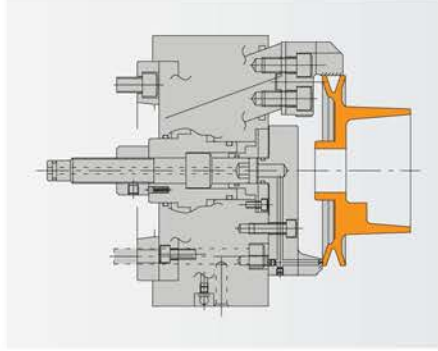
● PULLEY



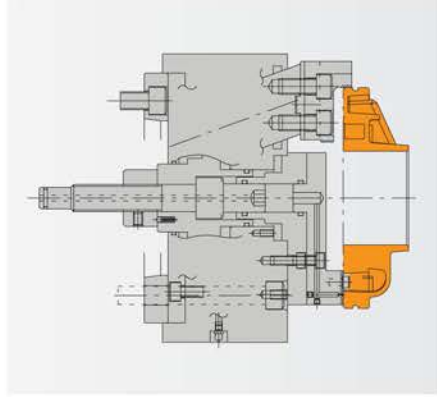
● PISTON



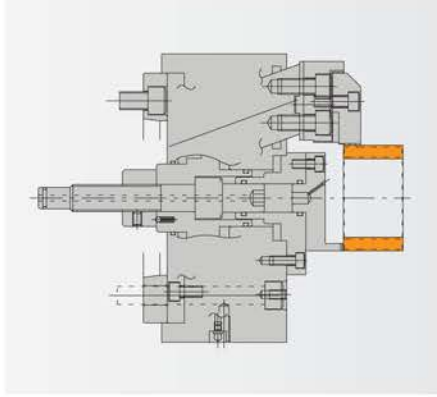
● HUB



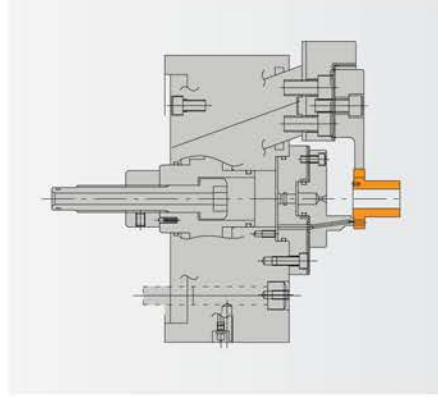
● PUMP BODY



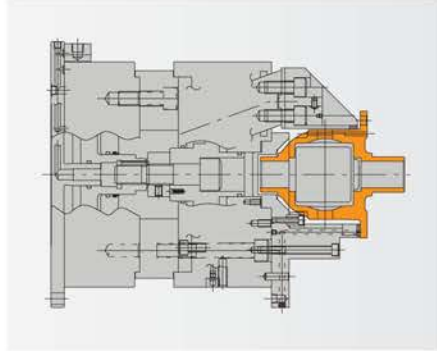
● HUB



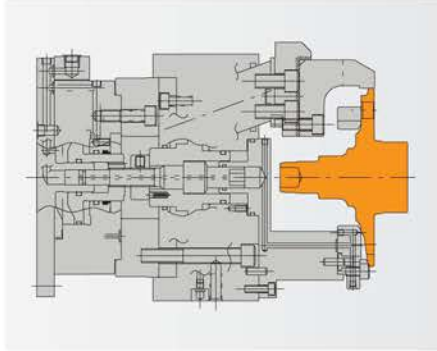
● NUT



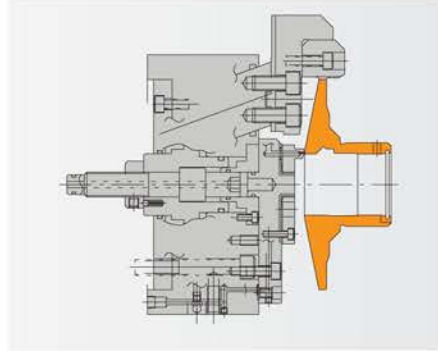
● CASE



● HUB



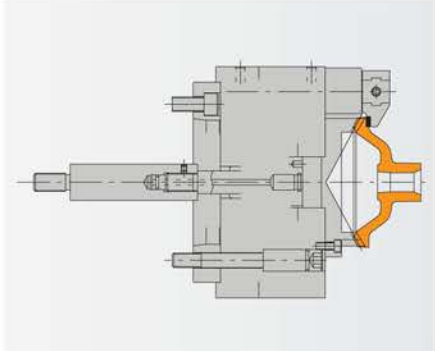
● PULLEY



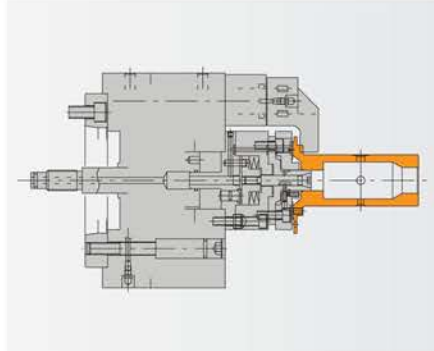
Level Lock Chuck

FG Series - Gripping Examples

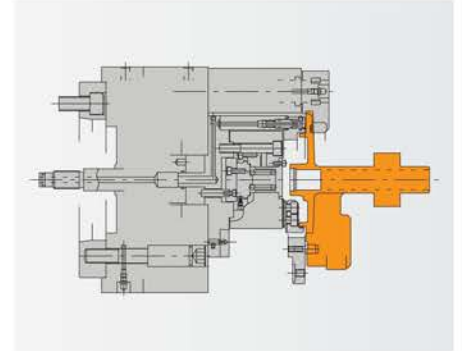
● GEAR



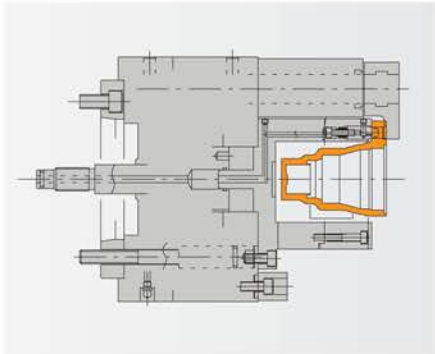
● BOSS



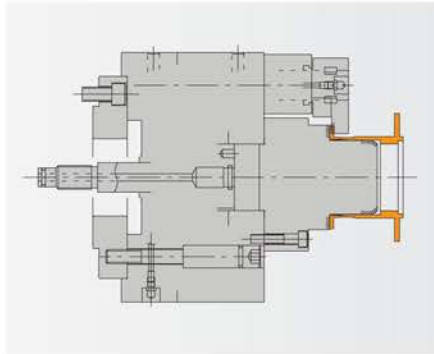
● BODY



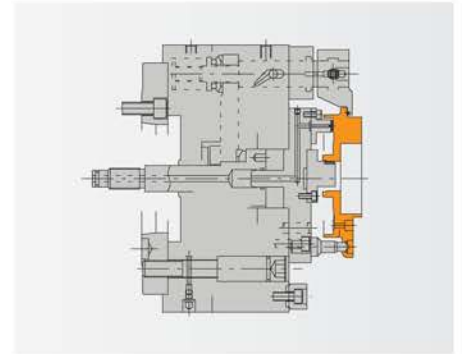
● BODY



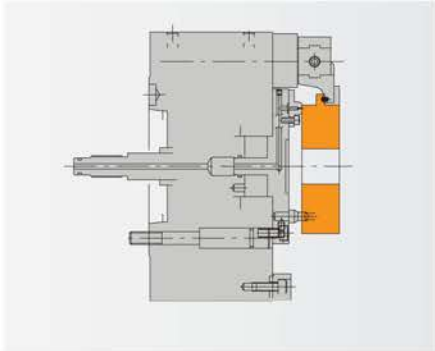
● HUB



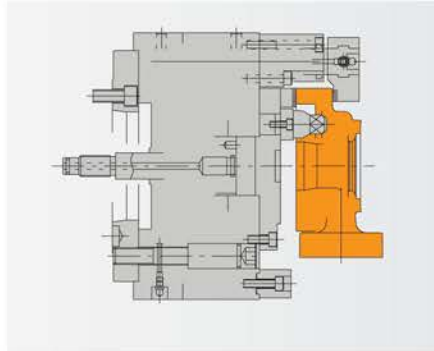
● BODY



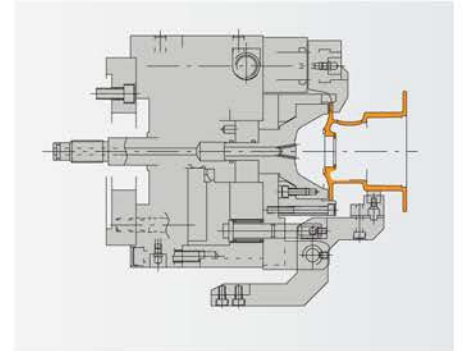
● BODY



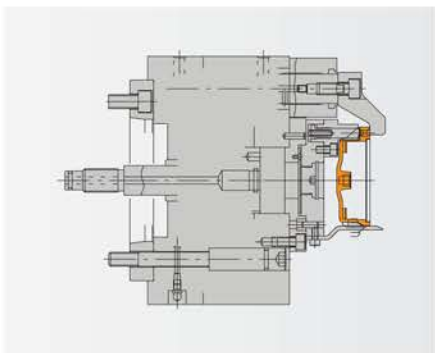
● CASE



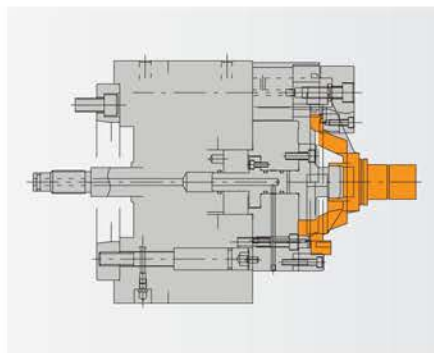
● HUB



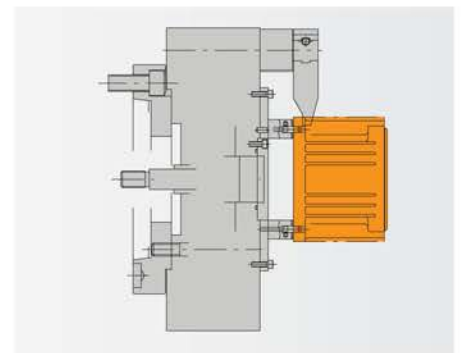
● FLAME



● HEAD

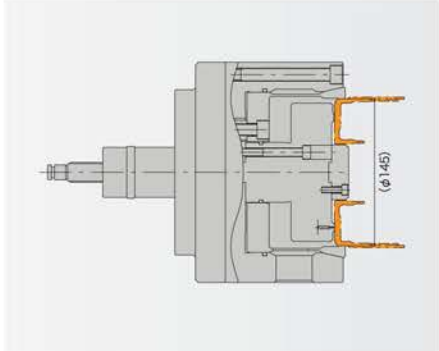


● BODY

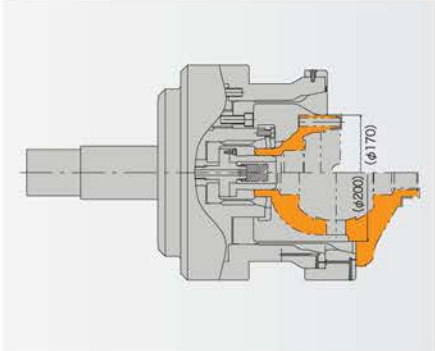


Collet Series - Gripping Examples

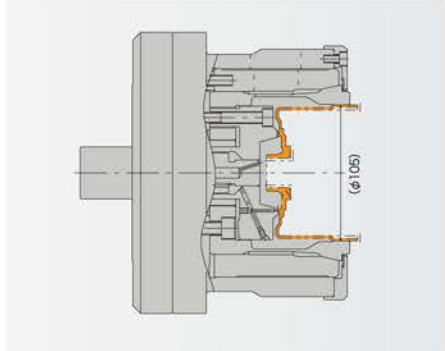
● COVER



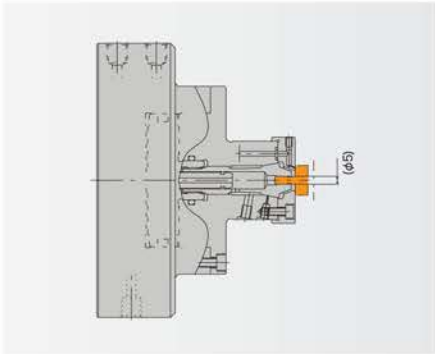
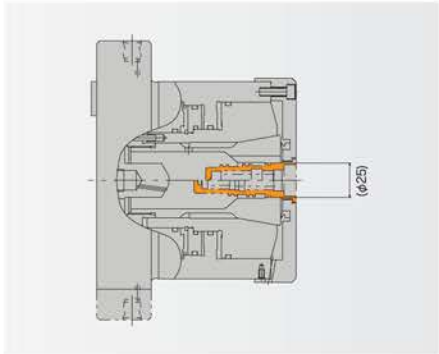
● DIFFERENTIAL CASE



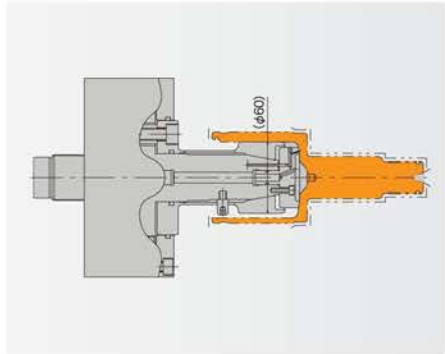
● CLUTCH



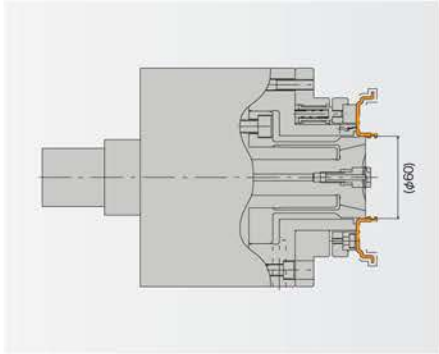
● SLEEVE



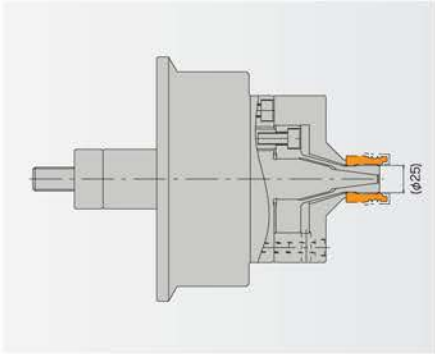
● BALE JOINT



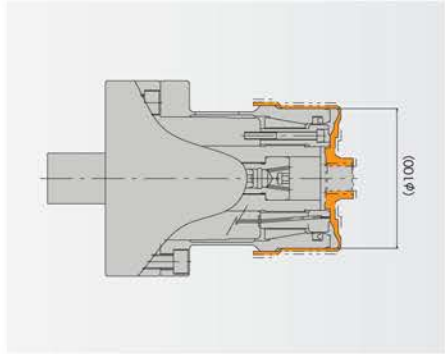
● PISTON



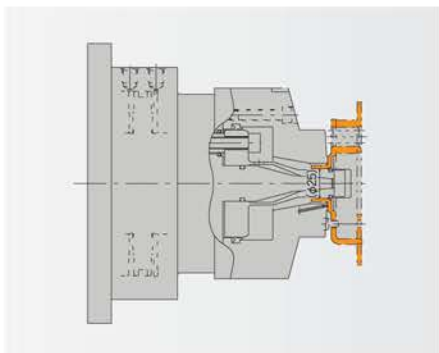
● VALVE OUTER



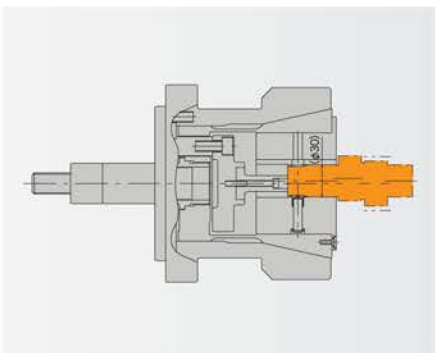
● HUB CLUTCH



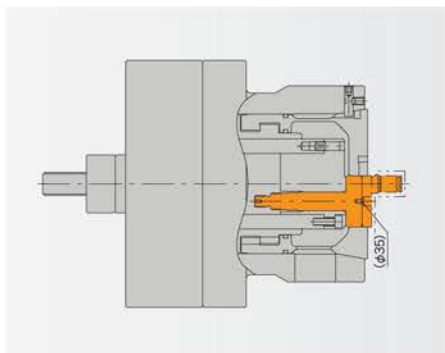
● CARRIER PLATE



● CRANK SHAFT



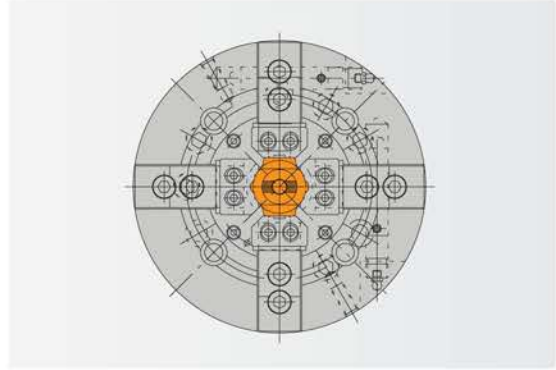
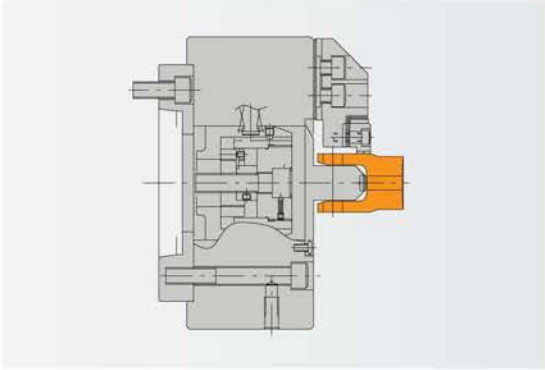
● CRANK SHAFT



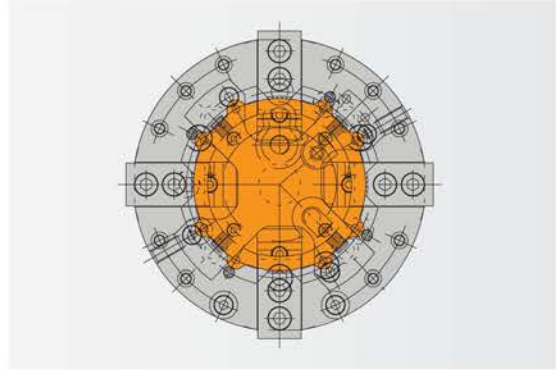
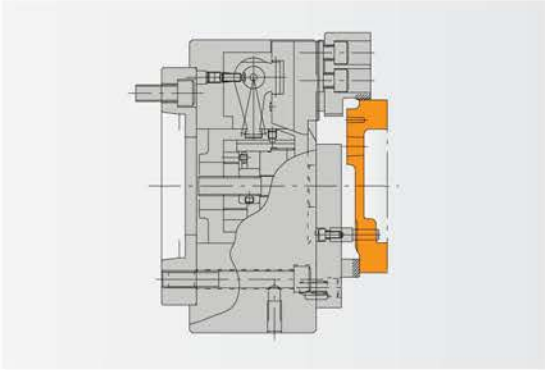
Collet

Other Gripping Examples ①

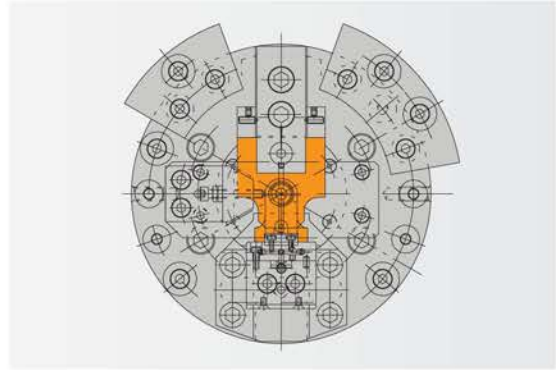
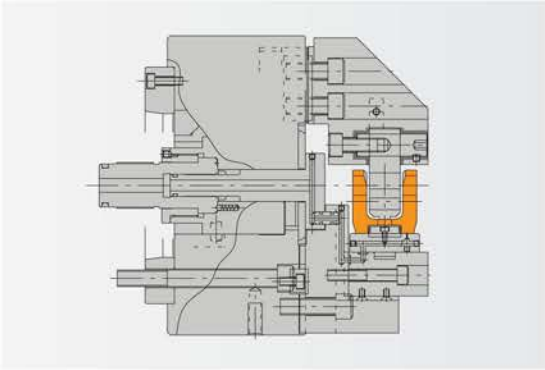
● YOKE



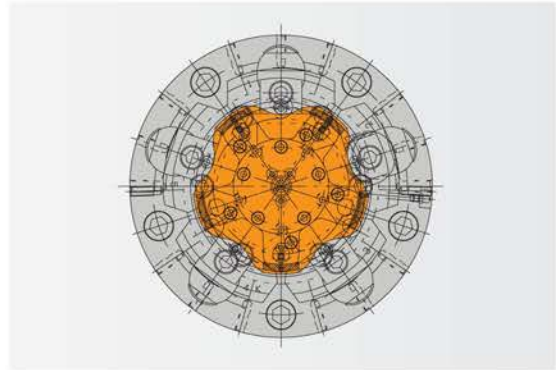
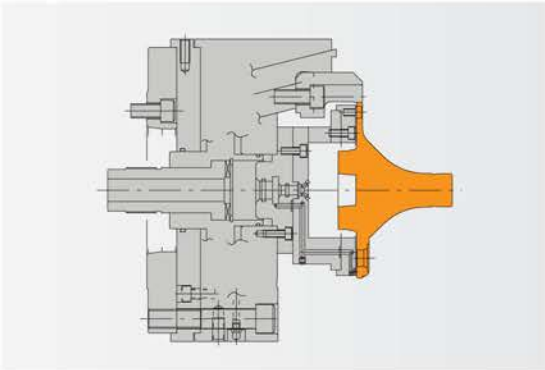
● HUB



● YOKE

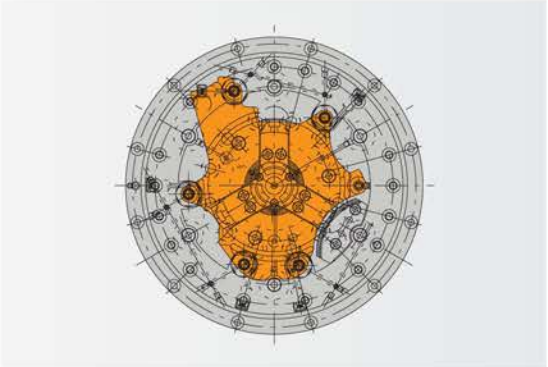
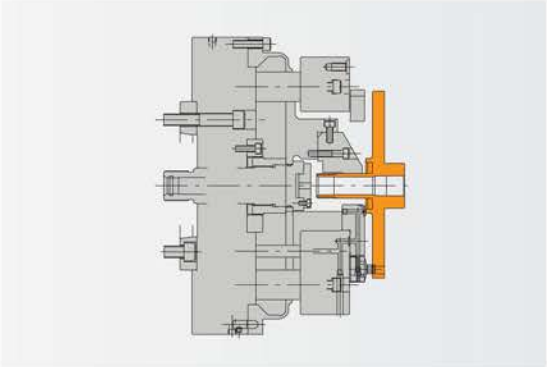


● HUB

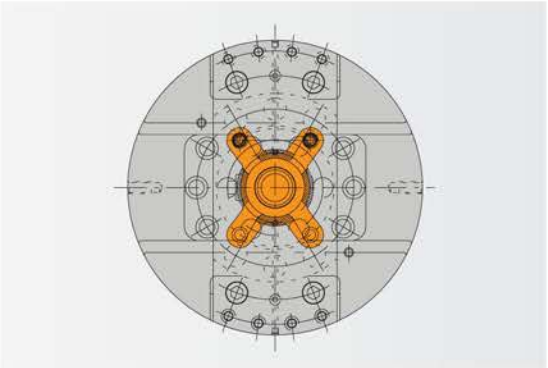
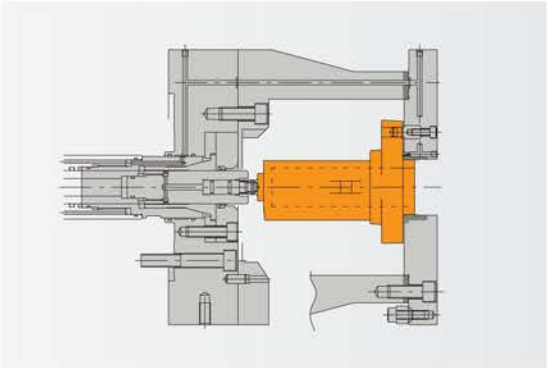


Other Gripping Examples②

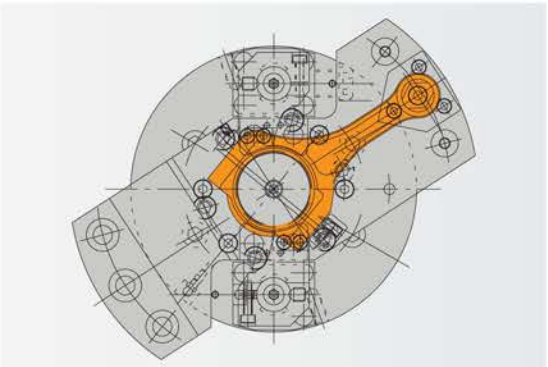
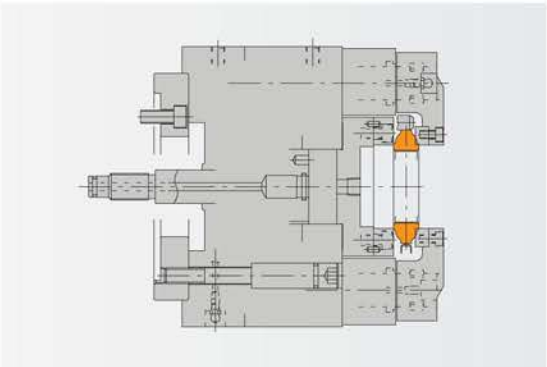
● COVER



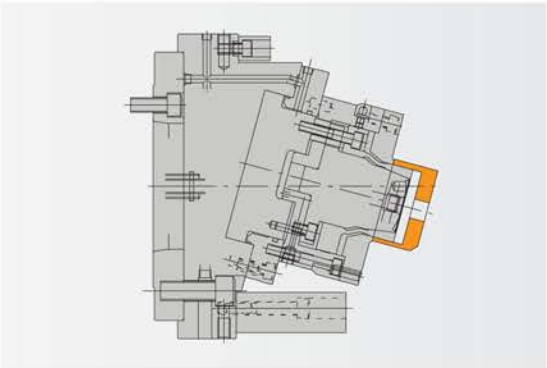
● CYLINDER



● ROD



● BODY





America Contact

- **KITAGAWA - NORTHTECH INC.**
 Tel. +1 847-310-8787 Fax. +1 847-310-9484
 301 E. Commerce Dr, Schaumburg, IL. 60173 USA
<http://www.kitagawa.com>
- **TECNARA TOOLING SYSTEMS, INC.**
 Tel. +1 562-941-2000 Fax. +1 562-946-0506
 12535 McCann Dr, Santa Fe Springs, California 90670 USA
<http://www.tecnaratools.com>

Europe Contact

- KITAGAWA EUROPE LTD.**
 Tel. +44 1725-514000 Fax. +44 1725-514001
 Unit 1 The Headlands, Downton, Salisbury, Wiltshire SP5 3JJ, United Kingdom
<http://www.kitagawaeurope.com>
- **KITAGAWA EUROPE GmbH**
 Tel. +49 2102-123-78-00 Fax. +49 2102-123-78-69
 Borsigstrasse 3, 40880, Ratingen Germany
<http://www.kitagawaeurope.de>
- KITAGAWA EUROPE GmbH Poland Office**
 Tel. +48 607-39-8855 Fax. +48 32-749-5918
 44-240 Zory, ul. Niepodleglosci 3 Poland
<http://www.kitagawaeurope.de>

Asia Contact

- KITAGAWA INDIA PVT LTD.**
 Tel. +91 20-6500-5981 Fax. +91 20-2615-0588
 Lotus House East, Lane 'E' North Main Road, Koregaon Park, Pune 411 001, Maharashtra, India
- **KITAGAWA (THAILAND) CO.,LTD. Bangkok Office**
 Tel. +66 2-712-7479 Fax. +66 2-712-7481
 9th FL, Home Place Office Building, 283/43 Sukhumvit 55Rd. (Thonglor 13),Klongton-Nua, Wattana, Bangkok 10110, Thailand
- **KITAGAWA IRON WORKS CO.,LTD. Singapore Branch**
 Tel. +65 6838-4318 Fax. +65 6408-3935
 #02-01 One Fullerton, 1 Fullerton Road, Singapore 049213
- **KITAGAWA IRON WORKS (SHANGHAI) CO.,LTD.**
 Tel. +86 21-6295-5772 Fax. +86 21-6295-5792
 Room308 3F Building B. Far East International Plaza,No.317 Xian Xia Road,Chang Ning, Shanghai,200051China
- **DEAMARK LIMITED**
 Tel. +886 2-2393-1221 Fax. +886 2-2395-1231
 No. 6, Lane 5, Lin Sen North Road, Taipei, Taiwan
<http://www.deamark.com.tw>
- **KITAGAWA KOREA AGENT CO.,LTD.**
 Tel. +82 2-2026-2222 Fax. +82 2-2026-2113
 803 Ho, B-Dong, Woolim Lion's Valley, 371-28 Gasan-Dong,Gumcheon-Cu, Seoul, Korea
<http://www.kitagawa.co.kr>

Oceania Contact

- DIMAC TOOLING PTY.LTD.**
 Tel. +61 3-9561-6155 Fax. +61 3-9561-6705
 61-65 Geddes Street, Mulgrave, Victoria, 3170 Australia
<http://www.dimac.com.au>